

Micro Marble Fireplaces

INSTALLATION INSTRUCTIONS AND USER GUIDE



Important Information - These instructions are for your safety. Please read them thoroughly before use and retain for future reference. Failure to follow them may result in serious or fatal injury and/or property damage.

Before you begin the installation, please ensure that a full and detailed inspection of all component parts is undertaken jointly by the installer and purchaser to ensure there is no damage or manufacturing defects with the product. Once the fireplace has been installed, no claims or responsibility will be accepted by the manufacturer relating to chips, scratches or any other obvious defects.

Please also ensure you carefully read and fully understand these instructions before commencing installation as we cannot accept responsibility for any damage or defects caused by non-compliance with these instructions.

These instructions are written in accordance with the 'Stone Federation Great Britain' guidance on fire surround standard building practice, Building Regulations (Approved Document J) and all relevant British Standards.

This fireplace should be installed only by competent professional fireplace installers and fitted only to suitable surfaces. You should check with your installer that the constructional elements of the intended chimney breast and flue comply with current Building Regulations, and that they are suitable for the appliance that is to be installed. Failure to do so may result in serious or fatal injury and/or property damage.

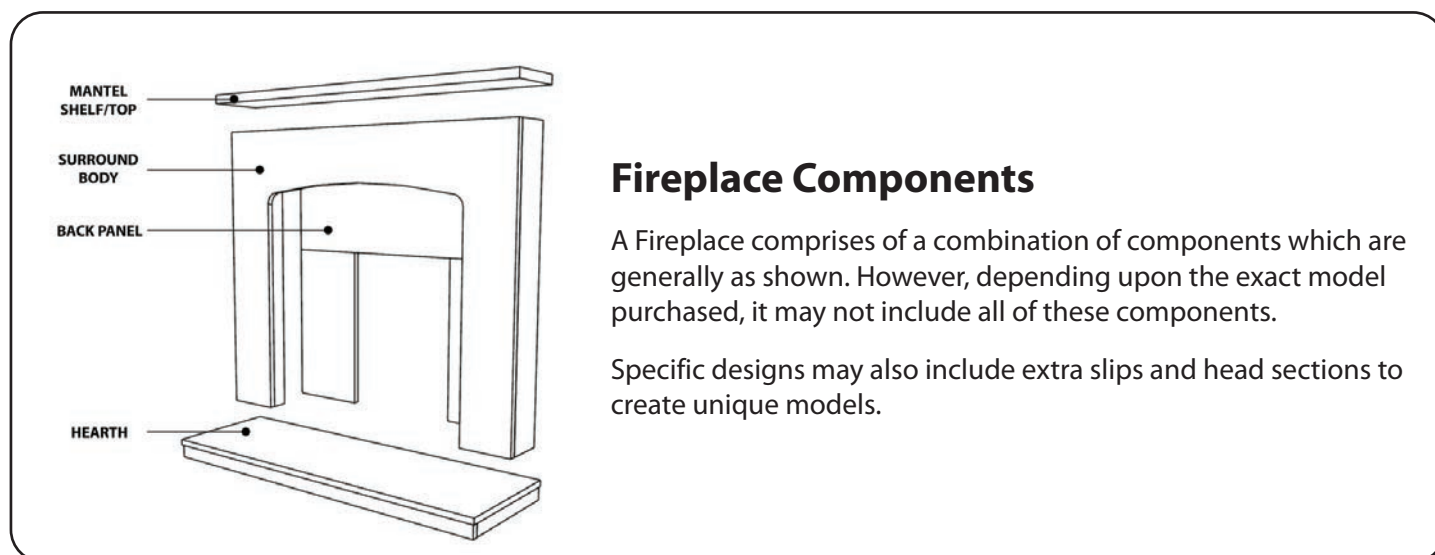
NOTE: Installation is not recommended as a DIY or single person task. In addition to this giving rise to the potentially increased risk of product damage and/or incorrect installation, it should also be noted that some marble components can be very heavy and will require two people to lift/handle. Caution should always be exercised if attempting to lift heavy or awkward objects. Always ensure the wall and floor have sufficient load bearing capabilities to allow the surround to be installed safely and securely. The foundation must be sufficient to support the entire weight of the surround.

Following the installation, please leave these instructions with the householder.

Micro Marble Fireplaces

Marble is a natural product formed over millions of years by the Earth's natural evolution process. Consequently no two pieces of marble are exactly the same, and individual fireplaces may be slightly different in veining, marking and shade which gives a unique quality to each and every marble product. Veins, vents and minor pitting are to be expected within marble. These are generally accepted as industry standard and do not detract from the quality of the finished product.

Micro Marble is produced from small pieces of real marble finely crushed and bonded to produce a quality product for your home. Be Modern selects only the highest quality marble to manufacture your fireplace within our UK manufacturing facilities



The fireplace interior sections (to the rear) need to be sealed to prevent leakage and to protect from excessive heat build up. Any space between these sections and the wall/chimney breast must therefore be filled with non-combustible stable material (i.e. mortar). For installations with Class II gas flues always check that all joints around base blocks are sound.

Take care not to drill into flue way when drilling holes for fireplace brackets.

General information

If intending to fit a gas fire to complement your surround, we strongly advise that this is carried out only by a suitably qualified GAS SAFE registered installer. This will ensure that your gas fire is installed correctly and safely.

All of our designs are supplied with a minimum of 413mm x 565mm standard fire opening on the back panel (some models may vary). Should the existing fire opening be greater than the opening in the back panel, do not use the marble back panel to reduce the size of the opening as this may cause the marble to crack.

Be Modern Micro Marble fireplaces are suitable with most High Efficiency gas fires. However due to a wide variation in heat outputs and surface temperatures, please consult with your accompanying gas fire manufacturer to confirm compatibility with Micro Marble.

Be Modern Micro Marble is equivalent of "O" type classification and rated to 150 degrees C.

IMPORTANT

Only suitable for non Be Modern and Elgin & Hall gas fires up to 4kW



Warning!

This product is heavy. Failure to install this product securely and in accordance with these instructions could lead to a serious or fatal injury!

Installing the Fireplace

If fitting a model with LED lights (or with an electric fire), firstly ensure that there is access to a suitable power supply in the fitting area. If a fused spur is to be fitted (recommended), this should be fitted prior to installation.

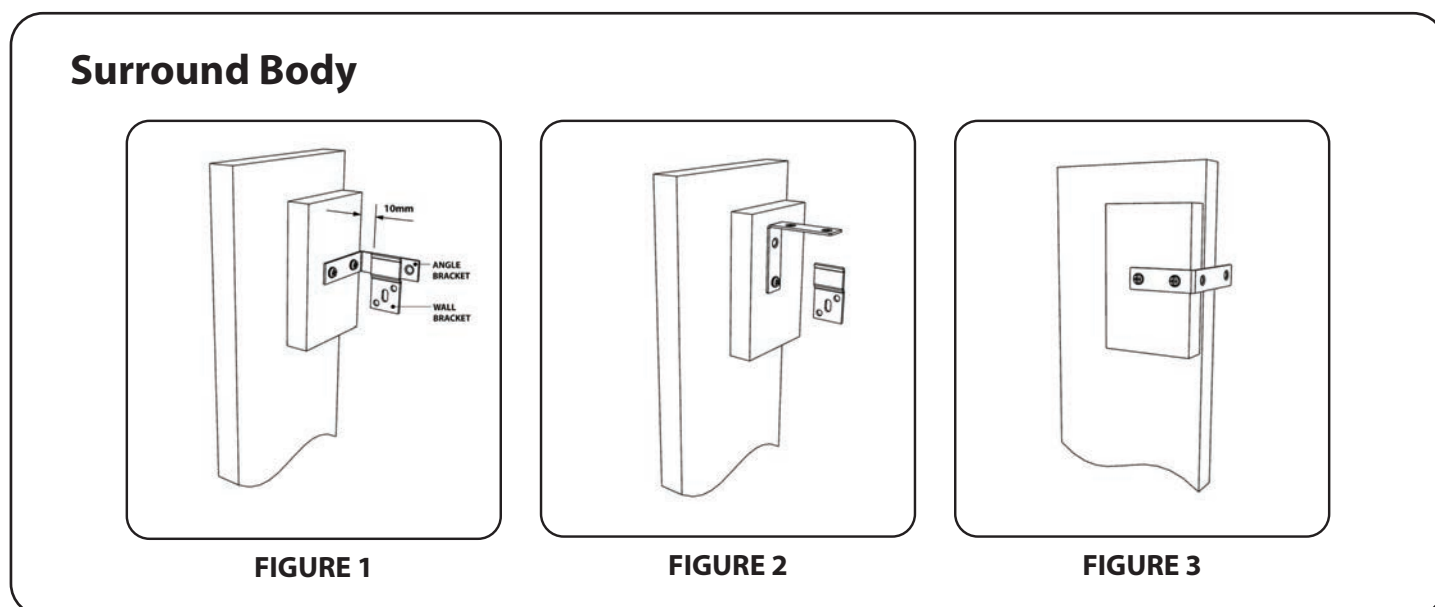
Always remember to allow for expansion and contraction. The fireplace must not be installed using only mastic or other adhesives / compounds. It must be fixed with the permanent fixing brackets supplied and be secured to a solid surface. A clear or white flexible fixing medium (such as Silicone 450 or similar) can be used where necessary to bond component parts together. However, we recommend you do not use "hard setting" compounds or mastics as this is prone to heat damage from expansion and contraction over time.

Under no circumstances should grey cement, gypsum based adhesives, coloured sand or coloured bonding plasters be used to fix the fireplace components, as these materials could discolour the marble.

The correct selection and application of adhesives is essential in order to safely install this product. Only use the recommended and correct sealant or adhesive to secure / mount this product.

Hearth

Ensure that the hearth is level and firmly secured into position on a bed of suitable mortar with the fire opening central.



The tops of the leg sections have angle brackets fitted for securing direct to a wall surface. These fixing brackets will prevent the surround from detaching itself from the wall.

Figure 1 illustrates how the angle brackets (fitted to the internal legs of the surround) are secured behind the wall bracket at the final fitting stage for an "invisible" fixing. This is achieved by carefully positioning the surround on the hearth in its intended position and marking the position of the wall brackets and their screw holes. Also mark the position at the top of the legs (inside) where the mantel shelf will sit and, using a straight edge, draw a horizontal line along the wall (from the top internal of each leg). This will help when positioning the fixing bracket on the mantel shelf later.

Remove the surround and securely fix the wall brackets to the wall using appropriate fixings (see 'Important Note' below).

IMPORTANT NOTE:

Wall fixings (i.e. screws/wall plugs etc) are not supplied as these are crucially dependant upon the type of wall and surface the surround is going to be fixed to. The installer is therefore responsible for ensuring that suitable fittings are used according to the particular model to be installed as well as individual fitting situations and environments.

Remove one of the screws from the surround brackets and turn it into a vertical position (**Figure 2**). This allows the bracket to be "flipped down" later for easier fitting.

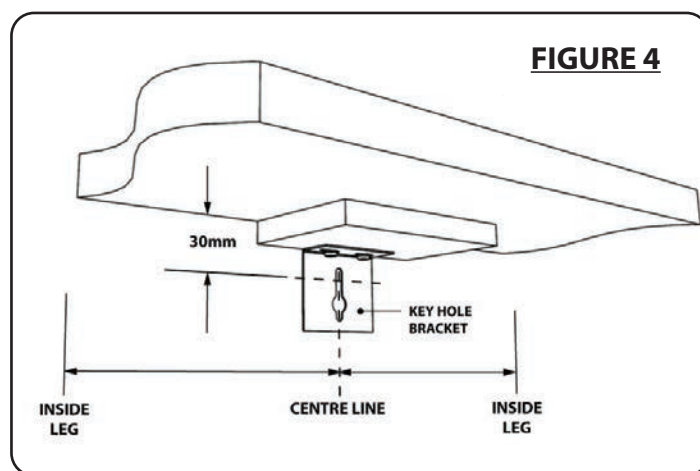
Do not replace the surround on the hearth as before final fixing of the surround and back panel you will need to prepare the wall 'keyhole' bracket for the mantel shelf (see next page).

Mantel Shelf Preparation

At the final fix stage, the mantel shelf must be secured to the wall surface using the wall 'keyhole' bracket supplied. In preparation for this, firstly fix the keyhole bracket centrally on the wooden block on the underside of the shelf using the screws provided - **See Figure 4.**

Using the horizontal line drawn earlier, find the centre position and make a mark. At a vertical point 30mm below this mark (as shown in Figure 4) drill and plug the wall and then screw home fully the mantel fixing screw supplied.

DO NOT FIT THE SHELF AT THIS STAGE.



Final Fixing

The back panel can now be placed on the hearth and up against the wall. Offer the surround up to the wall brackets. Check the surround is vertical on the front and sides and is central on the hearth. Be careful not to drag or slide the surround across the hearth as this may cause damage.

Once happy with the centralisation of surround and back panel, pivot the surround brackets down into their fixing position and re-affix the screws removed from the brackets earlier. Fasten securely in place.

Note: If you prefer to fix the surround from the outside, remove the angle brackets, turn them around through 180 degrees so that the brackets protrude from the outside of the legs rather than inside. Re-fix to provide an exterior fixing position (**Figure 3 - Page 3**).

If your surround has lights they should be fitted now and checked to ensure correct operation prior to continuing (see 'LED Lights - Installation and Replacement' section). Once lights are fitted, double check that the interior back panel is still in the correct position. This may require removal from the wall to meet the back of the upright legs depending upon the overall rebate dimension.

Gas Fire Installation Only - Ensure all gaps between the rear of the panel and the wall are filled with non-combustible stable material (i.e. mortar) and sealed around the fire opening so that no products of combustion can escape into the void. The gap between the rear of the panel and the wall does not need to be filled with non-combustible material if an electric fire is to be installed. However a suitable packaging material should be used in order to make the rear panel sit flush with the back of the surround.

The mantel shelf can now be put in position. Slacken off the fixing screw slightly to allow the fixing bracket to engage and use the screw head to locate the keyhole bracket. Check that mantel is held in place by the bracket fitting before proceeding. If there is excessive play, tighten the fixing screw and re-engage. Once happy with shelf placement remove it and place a bead of fixing medium along the top edges of the surround. Replace the mantel shelf, re-engage the bracket with fixing screw and bond in place on top of the legs.

Please note that the keyhole bracket is an additional safety feature which - if installed correctly - will prevent the mantel shelf from tipping or falling from the surround in the unlikely event of bonding failure. It is not however intended to secure the mantel fully to the wall so a little "play" on the bracket is to be expected and this won't compromise the feature. A fixing medium (such as Silicone 450 or similar) should be used to secure the mantel shelf to the main body of surround.

IMPORTANT: Mantel shelves **MUST NOT** be fitted using just adhesive only. The shelf is to be fitted with the bracket supplied and then can be bonded to the mantel using a flexible fixing medium (such as Silicone 450 or similar). The fixing medium should be applied to the top edge of surround rather than the bottom edge of shelf for easier bonding.

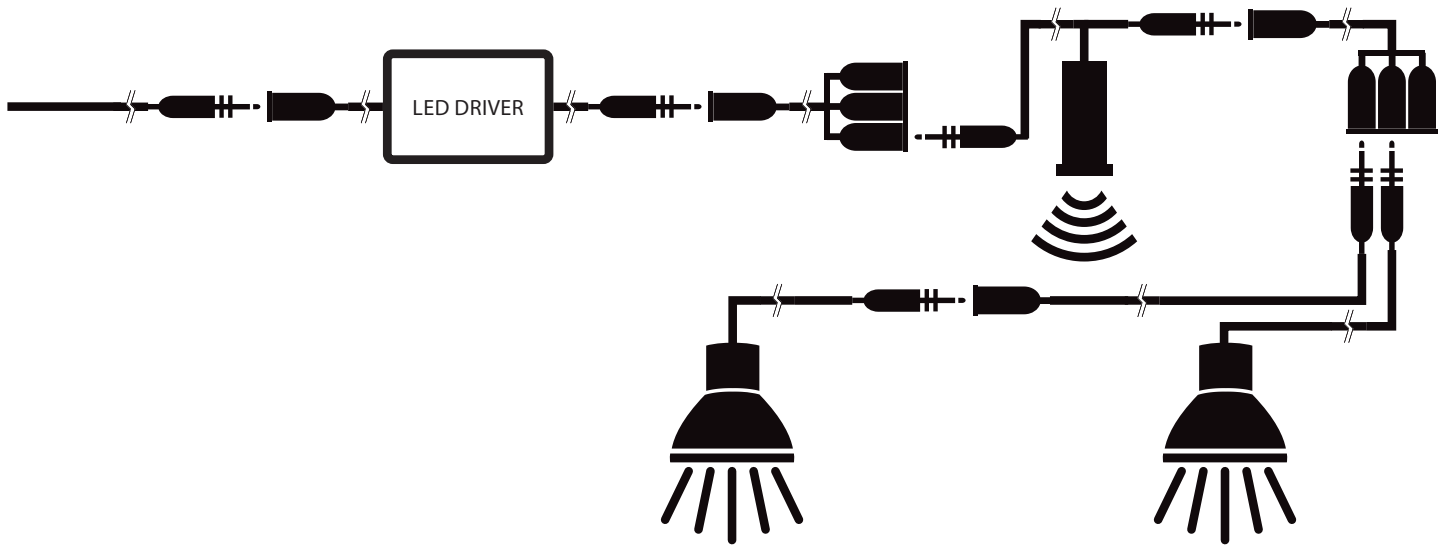
All mechanical fixings, for holding the product in position, must be secured to a solid wall or structure.

Pointing & Filling

Subject to individual preference, the joints of the fireplace sections and any small gaps between it and the wall can be filled (pointed) using an appropriate grout such as Decorators Caulk. As you grout, remove any excess caulking and clean with a damp sponge. Rinse the sponge between each application so as not to spread excessive grout over the surface of the surround. Once grouting is completed - and before grout hardens - wash down the complete surround with clean warm water and a sponge.

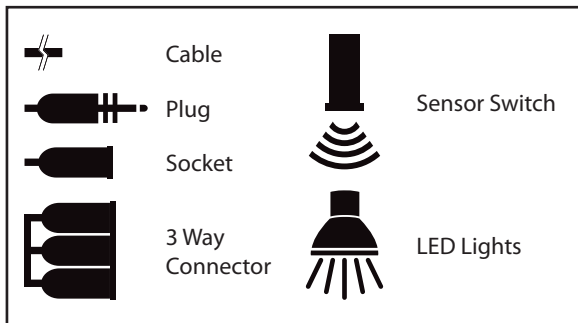
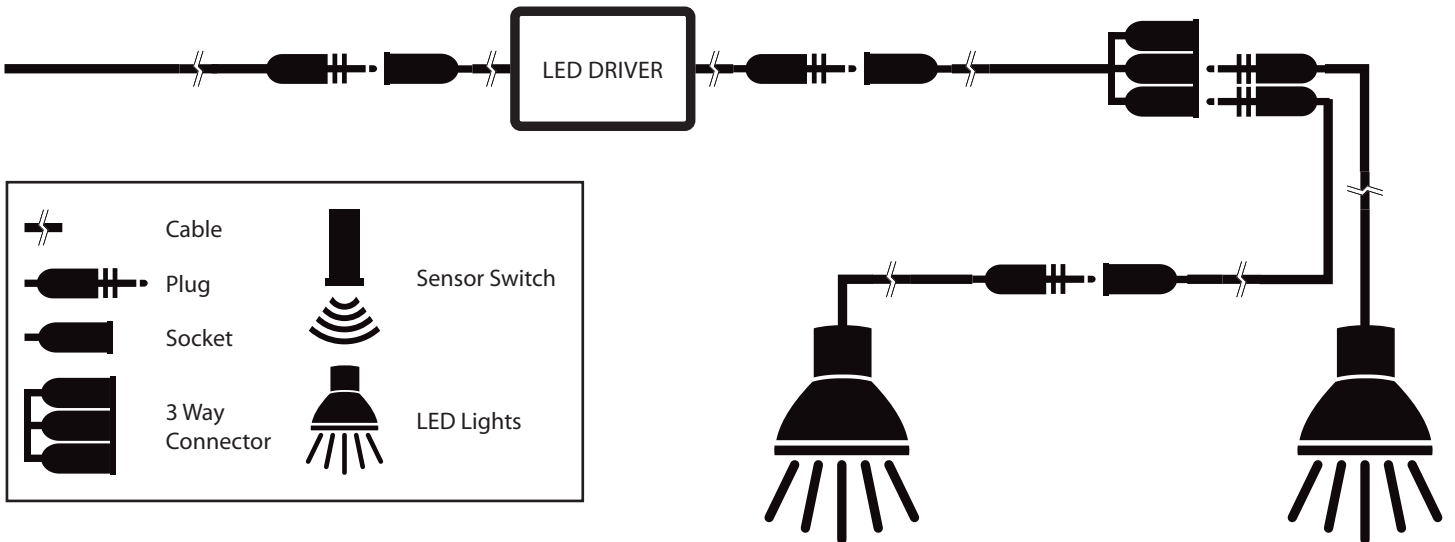
2 LIGHT LED KIT WITH SENSOR

This light set requires a 3 amp plug to be fitted prior to connecting the components.
If in doubt, contact a qualified electrician



2 LIGHT LED KIT NO SENSOR

This light set requires a 3 amp plug to be fitted prior to connecting the components.
If in doubt, contact a qualified electrician



BOX CONTENTS

<p>x2 LED LIGHTS</p> <ul style="list-style-type: none"> • Chrome ring • Warm light LED • 1.6 watt / 12 Volt each • 50 Diameter Outer • 33 Diameter Inner • 45 Diameter wing / clip 	<p>x1 SENSOR SWITCH (IF APPLICABLE)</p> <ul style="list-style-type: none"> • Top 16 Diameter • Ribs 14 Diameter • Main 13.2 Diameter 	<p>x1 EXTENSION LEAD</p> <ul style="list-style-type: none"> • 1040mm including plug and socket
<p>x2 - 3 Way Socket Box</p> <ul style="list-style-type: none"> • Chrome ring • Warm light LED • 1.6 watt / 12 Volt each • 50 Diameter Outer • 33 Diameter Inner • 45 Diameter wing / clip 	<p>x1 LED DRIVER</p> <ul style="list-style-type: none"> • 12 volt / 6 watt • 70mm 	<p>x1 MAINS LEAD</p> <ul style="list-style-type: none"> • 2040mm

LED Spot Lights Installation and Bulb Replacement Instructions

BEFORE YOU START

DO NOT throw away packaging until you have checked and made sure you have all the parts and fittings. If not, contact: **BE MODERN HELPLINE on 0191 430 0901** who will be able to assist you with this and any other problems you may have encountered. When you are ready to start, make sure that you have the right tools to hand, plenty of space and a clean dry working area.

INSTALLATION INSTRUCTIONS

- Step 1. Determine which side of the fire place the LED spot light cable will need to be routed.
- Step 2. The LED spot lights will need to be wired in place by a qualified electrician. We recommend that the lights are wired directly into a switched fused spur, ensuring all building codes and regulations are adhered to, in the installation.
- Step 3. It is important to confirm the LED spot lights work correctly prior to installation of the fireplace.
- Step 4. Prior to the final installation of the fire place, make sure that the cables will not be trapped or crushed by the fireplace installation. The back panel should be sealed so cables cannot get trapped behind the fire. Blocks are also provided to prevent cables falling down the leg voids.



FIGURE 1



FIGURE 2

- Step 5. Feed the main cable through the LED hole from the top allowing some slack for connecting the other components.
(It is important that this is done in order to be able to access the bulbs again if necessary). **FIGURE 1.**
- Step 6. From the front of the surround insert the IR sensor cable up through the small hole and push the sensor unit tight into the socket. **FIGURES 2 & 3.**
Attach the cable into the 3 way socket box

NOTE: IF YOU HAVE PURCHASED LED LIGHTS WITHOUT THE IR SENSOR, PLEASE SKIP STEP 6



FIGURE 3



FIGURE 4

- Step 7. As with the previous stage, pull the LED cables through the LED holes. Plug the cables into the connection box. (Please note: do not push the LED bulb housing into hole yet). **FIGURE 4**
- Step 8. Attach the in-line connectors together and pull the cables up through the LED hole into the fire surround. **FIGURE 5**. Please make sure that if necessary, you are still able to pull the cables back through without them being damaged or becoming trapped. Enough slack is required if the transformer or LED's require servicing, so leave cables loose within the surround. **FIGURE 6**



FIGURE 5



FIGURE 6

LIGHT OPERATION INSTRUCTIONS

- Step 1. To switch the lights on, swipe your hand under the sensor at a distance of approximately 50mm. The sensor is located next to the LED bulb.
- Step 2. To switch the lights off swipe your hand under the sensor once again.

REPLACING THE LED BULBS

12v 6W DLFP-CH-WW

Bulb specification: LED 12V 6W DLFP-CHWW

For replacement LED bulbs consult your local electrical retailer / DIY store / online.

Step 1

Switch off the power and allow the bulbs to cool down completely.

Step 2

LED bulb, carefully pull the housing down from the marble, disconnect the cable, then reverse steps with new LED housing.

IMPORTANT | Please do not:-

- Drag or drop heavy objects such as metal coal scuttles on the hearth surface.
- Stand on the hearth. This is not only potentially dangerous, but could also disfigure the surface texture.
- Place objects heavier than 5kg on top of the mantel shelf.
- Use any detergents to clean the marble. Use only a damp cloth and clean water to wipe clean the marble surfaces.

We hope that you are pleased with the product and the installation of your Fireplace. Please contact your supplier in the first instance should you have any concerns or questions.

GUARANTEE

Be Modern ('the Company') provides a 12 month guarantee in respect of the fireplace ('the Product') ranges subject to the following terms and conditions.

In the event of service being required, the purchaser should initially contact the retailer/installer who supplied the product and they will assist and advise you further as necessary.

1. The 12 month Guarantee applies to all Products in the ranges manufactured by the Company where:
 - (i) The Product has been purchased and installed within the UK
 - (ii) It relates to the initial installation as carried out for the original purchaser

This Guarantee is non-transferable

2. Proof of Purchase must be retained by the Purchaser for the period of the Guarantee.
3. A full and detailed inspection must have been carried out on all component parts by the installer and/or the end user prior to the start of installation, to ensure there was no damage or manufacturing defects.
4. The 12 month Guarantee **does not** apply to:
 - a. Any damages caused to the Product as a direct result of incompetent installation
 - b. Damage caused by misuse of the Product or where normal standards of care and use have not been complied with
 - c. Damage or defects due to misuse, accident or unauthorised alterations
 - d. Damaged or broken component parts reported after installation
 - e. Any other obvious defects reported after installation
 - f. LED bulbs
5. During the 12 month period following Product purchase, the Guarantee covers the making good (whether by repair or replacement at the Company's discretion) of the Product only for claims arising from defective manufacture and/or materials of the "Product" covered in Point 1, on the proviso that:
 - a. The Product has been fully inspected prior to installation
 - b. The Product has been installed as per Be Modern recommendations
 - c. Our Liability is limited to the free replacement of the parts affected

IMPORTANT: Product only suitable for non Be Modern and Elgin & Hall gas fires up to 4kW

This Guarantee does not affect your statutory rights

bemodern[®]

ELGIN & HALL[®]